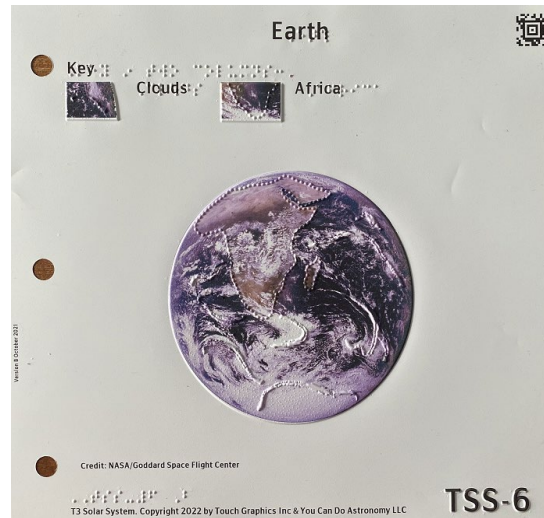


T3 Tablet-Getting Started Guide

June 2022 (version 2.0)



Two tactile overlay sheets for the T3

Welcome to the world of audio-tactile graphics! With **T3 Tablet**, you will place **tactile overlay sheets** on a large tablet computer, then follow spoken instructions as you touch and explore with both hands. With T3, you can learn to read **braille**, explore **maps**, and play **games**.

Setting up the T3 tablet

- Remove the T3 Tablet from its box. You may want to keep the box to use as a temporary carrying case.
- Place the T3 tablet on your table or desk so that it rests on its four rubber feet. Position the T3 tablet so you can comfortably place both hands on the glass screen. The three metal sheet mounting pins should be on the left side, and the carrying handle should be on the far side.
- Connect the AC power cable to the T3 tablet. To do this, flip the tablet over so that the four rubber feet are pointing up, then look for a rubber bump that marks the location of the small, round DC power jack. Insert the T3 power cable plug into the jack. Flip the T3 over so its feet are resting on the table.
- Plug the other end of the cable into the wall outlet, and wait for about 60 seconds as the T3 powers up. When you hear, “T3. Place a Sheet to Start”, you will know that T3 is ready.
- Place any tactile overlay sheet on the T3. To do this, remove the sheet you want to use from the three-ring binder and place it on T3. Make sure to line up the three holes in the overlay sheet with the three mounting pins on the left edge. Once the sheet is in place, T3 will announce its title and activity instructions.
- When you have completed the activity, just remove the overlay sheet and place a new one on the T3. Immediately, you will hear the title and instructions for activities on the new sheet.
- When you are done working on T3, it is not necessary to shut it off, but if you do want to, you can press and hold the concave power button, located a few inches away from the rubber bump on the bottom of the T3. To restart, press and hold that same button.

Connecting T3 to internet

Since T3 content is stored in the cloud, your T3 must be connected to the internet via Wi-Fi or network cable. Here's how to do it:

- Exit the T3 app by swiping down twice to go to the Menu, and then follow instructions to exit the app.
- After exiting, you will land on the Android desktop. Swipe down in the upper right corner to configure your Wi-Fi connection. For wired connections you can skip this step.
- If you require screen reader support for this step, please connect any USB keyboard to the T3, and enter Control + Alt + Y to turn Talkback On or Off.

Gestures

T3 tablet is a modified Android tablet, with a ten-point touch screen.

The T3 app tracks the positions of your fingers as you touch the tactile overlay sheet, and can recognize gestures, specific hand and finger movements that you will use as you interact with the system:

- *Two hand touch*-whenever you are touching the T3 with both hands, T3 will assume that you are examining the sheet and will remain silent.
- *Select*-In every T3 app, you make choices by long-pressing with one finger on any feature. For example, in *T3 Braille* you may be asked to find all of the G's in a page of braille. While you are looking for G's, you should use both hands so you can explore in silence, but as you find each G, you should maintain contact with the G with your reading finger, while lifting your other fingers so they are no longer touching the overlay. You have to maintain single-finger pressure for one second until you hear a confirmation tone. This gesture takes a little practice, but it is an essential skill and will shortly become second nature while using T3.
- *Swipe right or left* - slide one finger to the right on the tactile sheet when you are done with an activity and want to hear your score, or slide one finger to the left if you want to start the current activity again.
- *Swipe up or down* - allows you to move through menu options (see below).
- *Quiet*-If you would like to interrupt the T3 at any time, long-press on the glass to the right of the tactile overlay. The T3 will stop talking.

Menu

At any time, you can swipe up or down on the tactile sheet to access the Menu. The menu options are:

- *Volume*. swipe right to raise the volume or left to lower the volume.
- *Speech rate*. Swipe right to increase speech rate or left to decrease speech rate.
- *About*. Tells you the version number of the T3 app
- *Exit*. Allows you to leave the T3 app and go to the Android desktop from where you can access Gmail, Chrome internet browser, media player, and the Google Play Store.

T3 Apps

As of June 2022, these T3 Books are available through touchgraphics.com:

- T3 Braille-Modules 1 (Tracking) and 2 (Alphabet)
- T3 Braille-Module 3 (Contractions-Levels A and B)
- T3 Atlas
- T3 Games
- T3 Solar System
- T3 Stories

These T3 books are in development and will be released in coming months:

- T3 Creator
- T3 Braille-Module 3 (Contractions-Levels C, D and E)
- T3 Match Game
- T3 Snakes and Ladders

Registered T3 users will receive email notifications as new apps become available.

Updating the T3 app

Touch Graphics is continually updating the T3 app. While the system is designed up to update automatically whenever an update is issued, you can also manually update the T3 app:

- Exit T3 using the Menu (see above)
- Once you are connected to the internet, Click on the Play Store icon.
- Search for “Touch Graphics”.
- Click *Touch Graphics T3*.
- Click Install.
- You will now have the latest version of the T3 app. To confirm, you can check the version number in the lower right corner of the screen, or you can use the Menu>>About option to hear the version number spoken.

Support

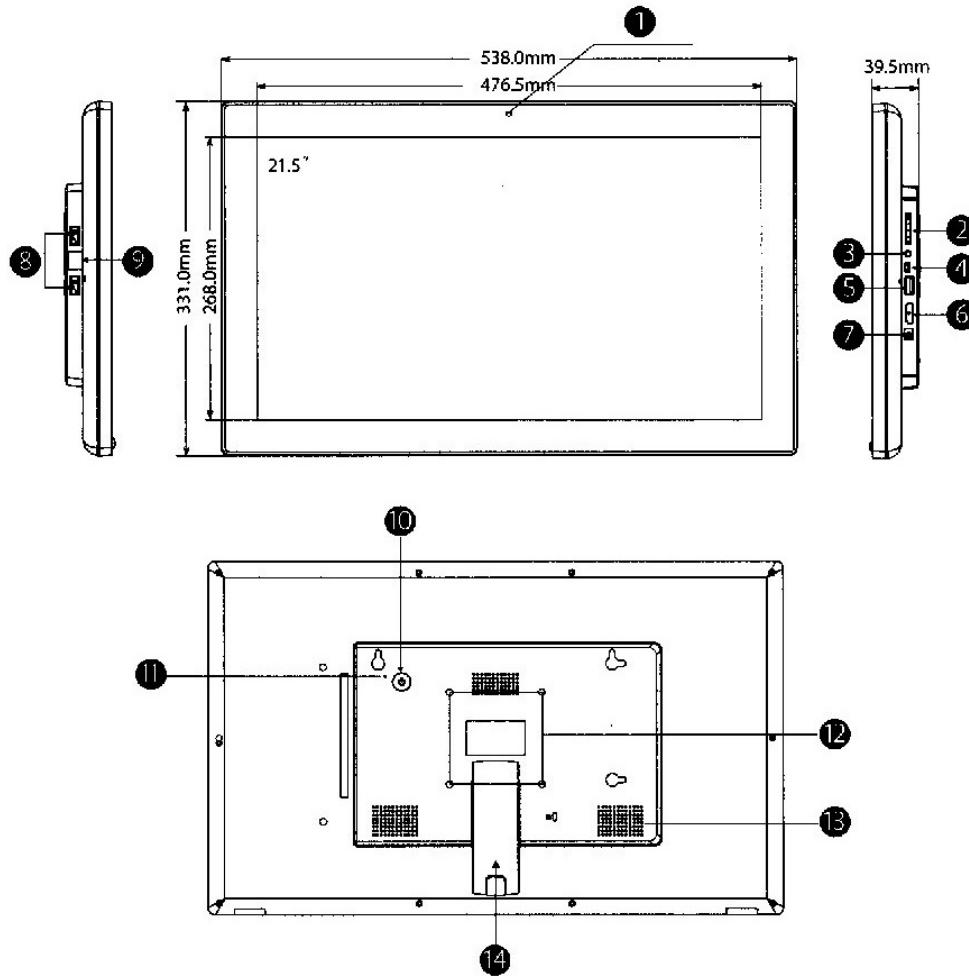
We are here to help if you have any questions or if something doesn't work as expected. To reach us:

- Phone: 800-844-2440 ext. 3 (tech support)
- Email: info@touchgraphics.com
- Address: 11 Harvest Lane, Elkton, MD 21921 USA
- Web: www.touchgraphics.com
- Twitter: @TouchGraphicsUS

Thank you, we hope you enjoy your new T3!

We love to hear from T3 users, so please get in touch!

The Touch Graphics Team



No	Function	No	Function
1	Camera	8	USB host
2	SD card slot	9	Ethernet port
3	3.5mm audio jack	10	Power ON/OFF
4	Mini USB OTG	11	Reset
5	USB host	12	VESA 100*100mm
6	HDMI output	13	Speaker
7	DC in power supply port	14	Stand

Figure 2: Diagram showing size ports and other features of the Android tablet.